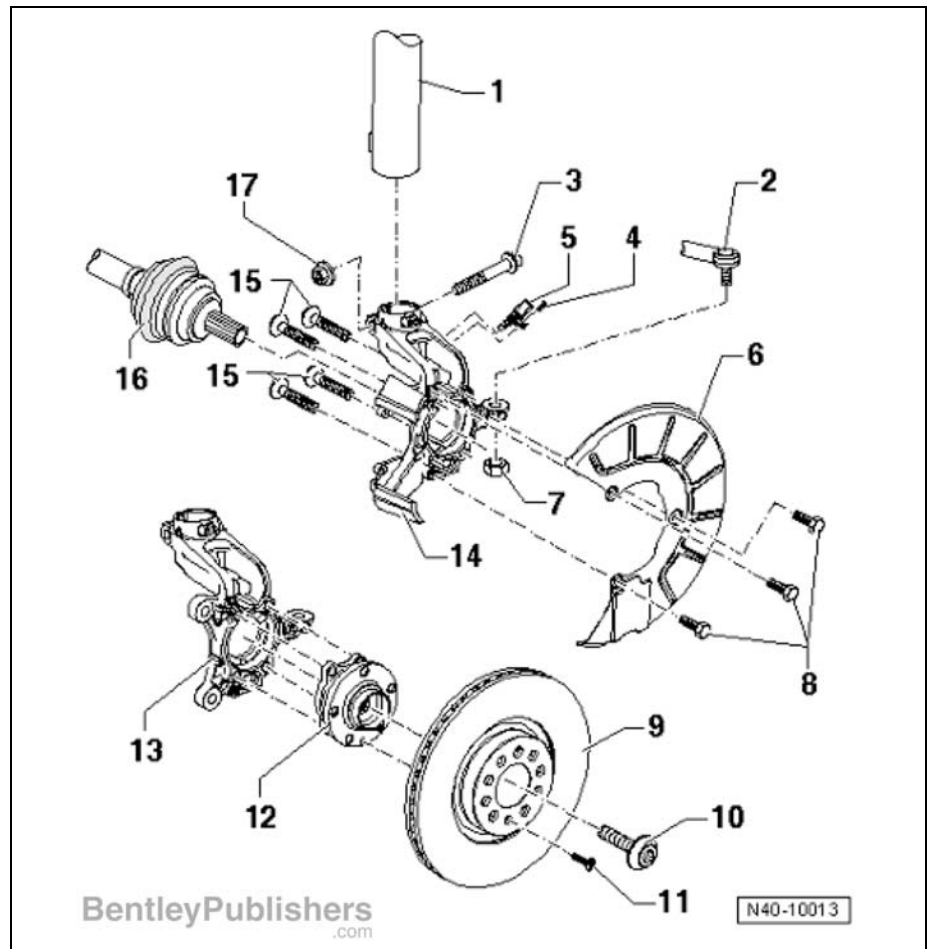


FRONT WHEEL BEARING

Front wheel bearing assembly

1. **Suspension strut**
2. **Tie rod end**
3. **Bolt**
 - Bolt point must face in direction of travel
4. **Bolt**
 - 8 Nm (71 in-lb)
5. **Left front ABS wheel speed sensor (G47) / right front ABS wheel speed sensor (G45)**
 - Can be tested in guided fault finding using VAS 5051B
 - Before inserting sensor, clean inner surface of bore hole and coat with securing grease G 000 650
6. **Cover plate**
7. **Nut**
 - 60 Nm (44 ft-lb)
 - Self-locking
 - Always replace
8. **Bolt**
 - 10 Nm (7 ft-lb)
9. **Vented brake rotor**
10. **Bolt**
 - 200 Nm (148 ft-lb) + ½ turn (180°)
 - Always replace
 - Vehicle must not be standing on its wheels when loosening or tightening
11. **Bolt**
 - 4 Nm (35 in-lb)
12. **Wheel hub with wheel bearing**
 - ABS sensor ring is integral with wheel hub
13. **Wheel bearing housing**
 - With bolted brake carrier
 - If wheel bearing housing is replaced, vehicle must then be aligned
14. **Wheel bearing housing**
 - With bolted brake carrier
 - If wheel bearing housing is replaced, vehicle must then be aligned



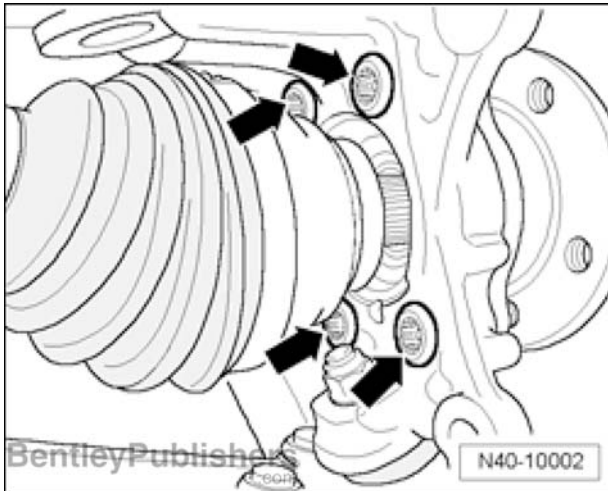
15. **Bolt**
 - 70 Nm (52 ft-lb) + ¼ turn (90°)
 - Always replace
16. **Drive axle**
17. **Nut**
 - 10 Nm (7 ft-lb)
 - Self-locking
 - Always replace

Front wheel bearing unit, removing and installing

Removing

- Remove drive axle bolt. See **Drive axle bolt, removing and installing** in this repair group.
- Raise car and support safely. Remove wheel. See **03 Maintenance** for more information.
- Remove brake caliper and secure to body with wire. See **46 Brakes–Mechanical**.
- Remove ABS wheel speed sensor. See **45 Antilock Brakes (ABS)**.
- Remove brake rotor. See **46 Brakes–Mechanical**.
- Press drive axle as far as possible out of wheel hub in direction of transmission.

◀ Remove bolts (**arrows**).



Tightening torque	
Wheel bearing unit to wheel bearing housing	70 Nm (52 ft-lb) + ¼ turn (90°)

- Remove wheel bearing unit from wheel bearing housing.

Installing

- Installation is reverse of removal.

